

- ▶ Impulse switch mode with off delay
- ▶ Energy saving function
- ▶ Low switching noise
- ▶ High switching capacity, 80A peak inrush current
- ▶ Automatic 3/4 - wire detection
- ▶ Push-button glow lamp load up to 100mA
- ▶ Width 17.5 mm
- ▶ Installation design



Technical data

1. Functions

Impulse switch mode with off delay.
The control input allows the connection of pushbuttons with a glow lamp load up to 100mA and enables the application in 3- or 4-wire circuits. The unit can be switch-on and off via the connected pushbuttons.

2. Time ranges

Time	Adjustment range
	6 to 60min

3. Indicators

Green LED U ON:	indication of supply voltage
Yellow LED ON/OFF:	indication of relay output

4. Mechanical design

Self extinguishing plastic housing, IP rating IP 40
Mounted on Din-rail TS 35 according to EN 50022
Mounting position: any
Shockproof terminal connection according to VBG 4 (PZ1 required), IP rating IP20
Tightening torque: max. 1Nm
Terminals capacity:
1 x 0.5 to 2.5mm² with/without multicore cable end
1 x 4mm² without multicore cable end
2 x 0.5 to 1.5mm² with/without multicore cable end
2 x 2.5mm² flexible without multicore cable end

5. Input circuit

Supply voltage:	Terminals L - N
Rated voltage:	see table ordering information or printing on the unit
Tolerance:	-15% to +10%
Rated consumption:	2VA (1,0W)
Rated frequency:	AC 48 to 63Hz
Duty cycle:	100%
Reset time:	500ms
Hold-up time:	-
Residual ripple for DC:	-
Drop-out voltage:	>30%
Overvoltage category:	III (according to IEC 60664-1)
Rated surge voltage:	4kV

6. Output

1 normally open contact	terminals L - 18
Rated voltage:	250V AC
Switching capacity (distance <5mm):	10A continuous current
Switching capacity (distance >5mm):	16A continuous current
Start-up peak (20ms):	80A
Mechanical life:	30 x 10 ⁶ operations
Electrical life:	
Resistive load:	10 ⁵ operations at 16A 250V
Lamp load:	80.000 operations at 1000W 250V

7. Control input B1

Connection not potential free: pushbuttons B1-N (3-conductor circuit)
pushbuttons B1-L (4-conductor circuit)
Glow lamp load: max. 100mA parallel to the pushbuttons
Overload protection: yes, electronic

9. Accuracy

Base accuracy:	±5% of maximum scale value
Adjustment accuracy:	<15% of maximum scale value
Repetition accuracy:	<2%
Voltage influence:	-
Temperature influence:	≤1%

10. Ambient conditions

Ambient temperature:	-25 to +55°C (according to IEC 68-1)
Storage temperature:	-25 to +70°C
Transport temperature:	-25 to +70°C
Relative humidity:	15% to 85% (according to IEC 721-3-3 class 3K3)
Pollution degree:	2, if built in 3 (according to IEC 664-1)
Vibration resistance:	10 to 55 Hz 0.35mm (according to IEC 68-2-6)
Shock resistance:	15g 11ms (according to IEC 68-2-27)

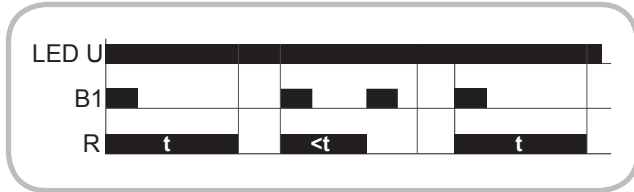
11. Weight

Single packing:	57g
-----------------	-----

Functions

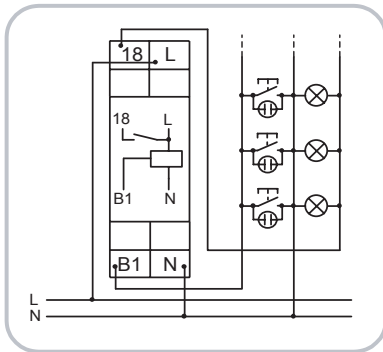
Impulse switch mode with off delay:

In this mode, every keypress toggles the output relay R (flip-flop). After the pushbutton at B1 has been pressed, the output relay R closes (terminals L-18 / yellow LED illuminated) and the set interval t begins. After the interval t has expired the output relay R switches into off-position (yellow LED not illuminated). If the pushbutton is pressed again before the interval t has expired, the interval t will be canceled and the output relay R switches into off-position (yellow LED not illuminated).

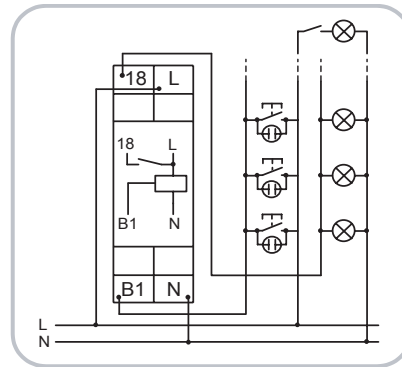


Connections

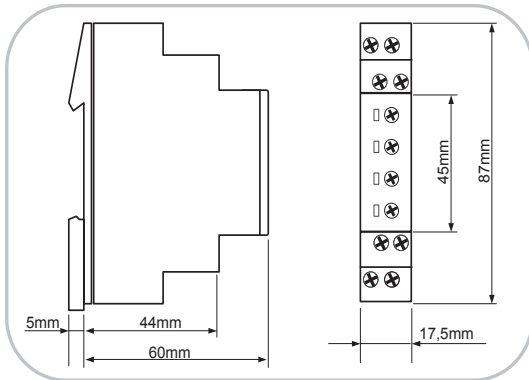
3-wire-circuit



4-wire-circuit with attic illumination



Dimensions



Ordering informations

Type	Time ranges	Supply voltage	Part Nr. (PQ 1)
E1ZWI 60min 230VAC	6 to 60min	230V AC	110310