

- ▶ 4 digital PTC inputs
- ▶ Short circuit monitoring of the PTC inputs
- ▶ Temperature monitoring
- ▶ Reinforced insulation of the input circuit
- ▶ State transmission over standard bus
- ▶ Modular monitoring system
- ▶ Width 22.5mm
- ▶ Industrial design



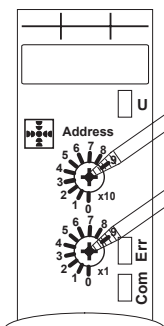
Technical data

1. Functions

WatchDog pro module with 4 digital inputs for temperature measurement with max. 6 PTC's (for temperature probes in accordance with DIN 44081) and with common ground (1T2 - 4T2).

2. Address adjustment

Address range: 1-99
Deactivation (Off): address 0



Potentiometer 1:
To adjust the **DECADES**

Potentiometer 2:
To adjust the **UNITS**

e.g.: the address **43** will be adjusted as follows:

Potentiometer 1 on position **4**
Potentiometer 2 on position **3**

3. Indicators

Green LED U ON: module is supplied via local interface
Yellow LED Com ON / flashes: data exchange over standard bus is in progress
Red LED Err ON: indication of failure
Red LED's 1T - 4T ON: indication of failure: temperature rise or short - circuit of the sensor lead

4. Mechanical design

Self-extinguishing plastic housing, IP rating IP20
Mounted on DIN-rail TS 35 according to EN 50022
Mounting position: any
Shockproof terminal connection according to VBG 4 (PZ1 required), IP rating IP20
Tightening torque: max. 1Nm
Terminal capacity:
1 x 0.5 to 2.5mm² with/without multicore cable end
1 x 4mm² without multicore cable end
2 x 0.5 to 1.5mm² with/without multicore cable end
2 x 2.5mm² flexible without multicore cable end

5. Supply

Nominal voltage: 24V DC from local interface
Tolerance: -17.5% to +16.5%
Rated consumption: 1.3W
Nominal current: 37mA (4 x 1.0kΩ at the input)
47mA (4 x 3.9kΩ at the input)
Max. supply current: 60mA
Ripple and noise: < 150mV_{PP}
Duty cycle: 100%
Start-up time: 2.2s typ.
Drop-out voltage: > 60% of supply voltage

6. Businterface

Standard bus:
Data link: RS485; yellow LED Com ON
Interface parameter: 115.2kBd, 9 bits data
Number of extension modules:
Local interface: 24* (width 22.5mm)

* dependent on the max. premissible current through local interface of the Central Unit (CU)
(additional extension is possible by the remote bus!)

7. Isolation

Overvoltage category: III (in accordance with IEC 60664-1)
Rated surge voltage: 6kV between input circuit and local interface

8. Input circuit

4 potential free PTC / thermal contact-inputs with a common ground (1T2 - 4T2)
Initial resistance: < 1.5kΩ
Response value: > 3.6kΩ
Release value: < 1.8kΩ
Measuring voltage PTC: max. 5V, ≤ 2.5V DC at R_{PTC} ≤ 4kΩ
Short circuit thermistor monitoring: yes
Overload capacity: 30V DC
Input resistance: 4.7kΩ

9. Accuracy

Base accuracy: ± 5% of response value
Repetition accuracy: ± 2%
Voltage influence: -
Temperature influence: ≤ 0.1% / °C

10. Ambient conditions

Ambient temperature: -25 to +55°C (in accordance with IEC 68-1)
-25 to +40°C (in accordance with UL 508)
Storage temperature: -25 to +70°C
Transport temperature: -25 to +70°C
Relative humidity: 15% to 85%
(in accordance with IEC 60721-3-3 class 3K3)
Absolute humidity: 1g to 25g H₂O/m³
(in accordance with IEC 60721-3-3 class 3K3)
Pollution degree: 2 (in accordance with IEC 60664-1)
Vibration resistance: 10 to 55Hz 0.35mm
(in accordance with IEC 68-2-6)
Shock resistance: 15g 11ms (in accordance with IEC 68-2-27)

Operator accessibility of lamps and connectors

The table shows which terminals and connectors can be touched by the operator during normal operation.

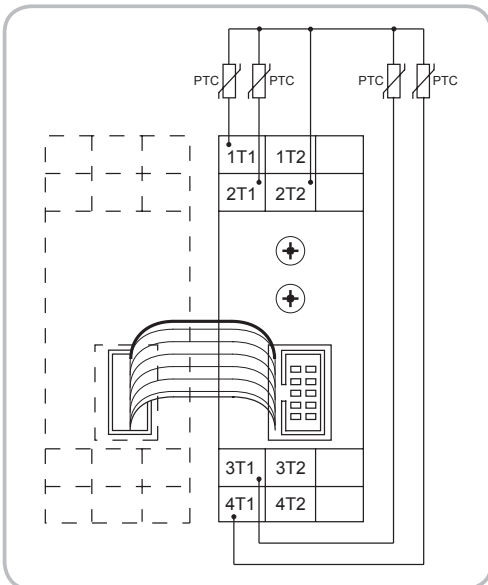
Nr.	Type	Terminal	Touchable
1	AI	Communication interface for local input-/output-extension device	YES
2	Ar	Communication interface for remote input-/output unit	YES
3	Be	Open communication interface, open to external devices as well	YES
4	Bi	Internal communication interface for peripheral modules	NO
5	C	Interface for digital and analog input signals	NO
6	D	Interface for digital and analog output signals	NO
7	E	Serial or parallel communication interface for data communication with external devices	YES
8	F	Terminal for line power supply	NO
9	H	Functional Earth terminal	YES
10	J	Input/output interface for power supply of sensors and actuators	NO
11	K	Interface for auxiliary supply output and auxiliary supply input	NO

Digital input: **G2DI4 PTCK** - Definition of circuits:

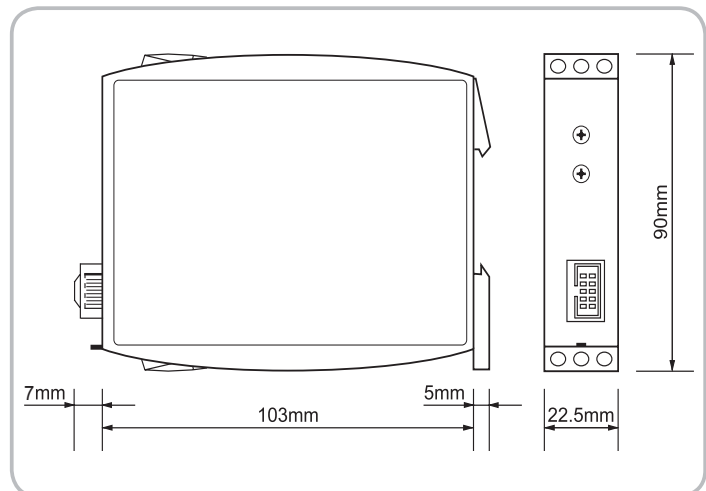
Name	Type	Nr.	Terminals related to the Circuit
PTC / thermal contact-inputs	C	5	1T1, 1T2, 2T1, 2T2, 3T1, 3T2, 4T1, 4T2
Locale interface	AI	1	LI Box header; LI plug connector with ribbon cable

Connections

G2DI4 PTCK



Dimensions



Ordering information

Type	Address range	LEDs	Part Nr. (PQ 1)
G2DI4 PTCK	1 to 99	U, Err, Com 1T, 2T, 3T, 4T	2500102